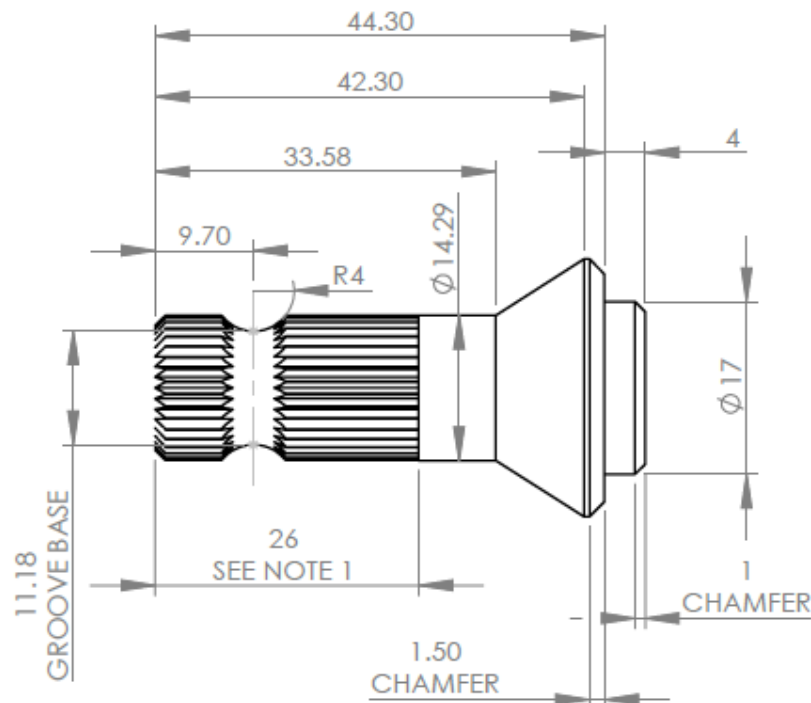
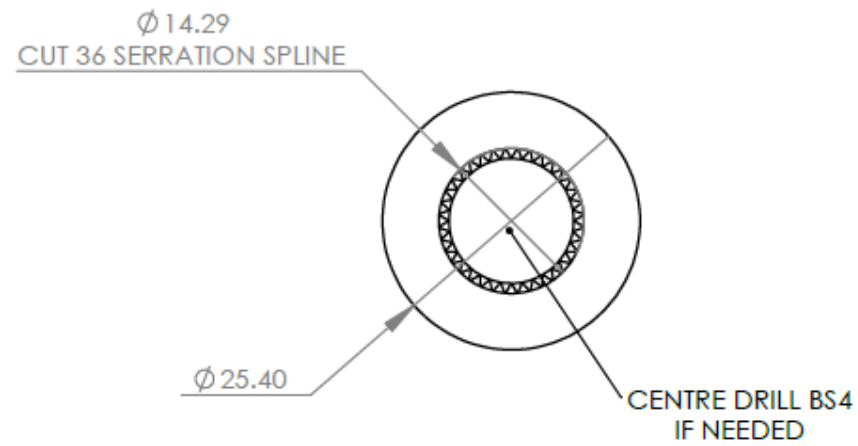
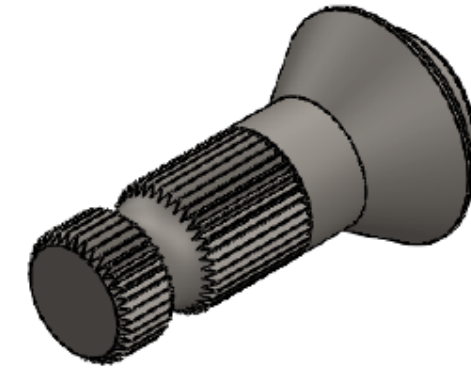


SPLINE DATA	DIMENSIONS
No OF SERRATIONS	36
FORM	BS2059
NOM' OD	14.29
SIZE OCER 9T (90)	9.25-9.30



CUSTOMER:	DC Electronics	
TITLE:	EPAS01 Spline Detail	
PART NO:	EPAS01	
DRAWN BY:	D. Cunliffe	DATE: 22 nd June 2023
CHECKED BY:	J.Ball	DATE: 22 nd June 2023
FILENAME:	EPAS01 Ultra MGU Spline Detail.vsd	

REVISION:

