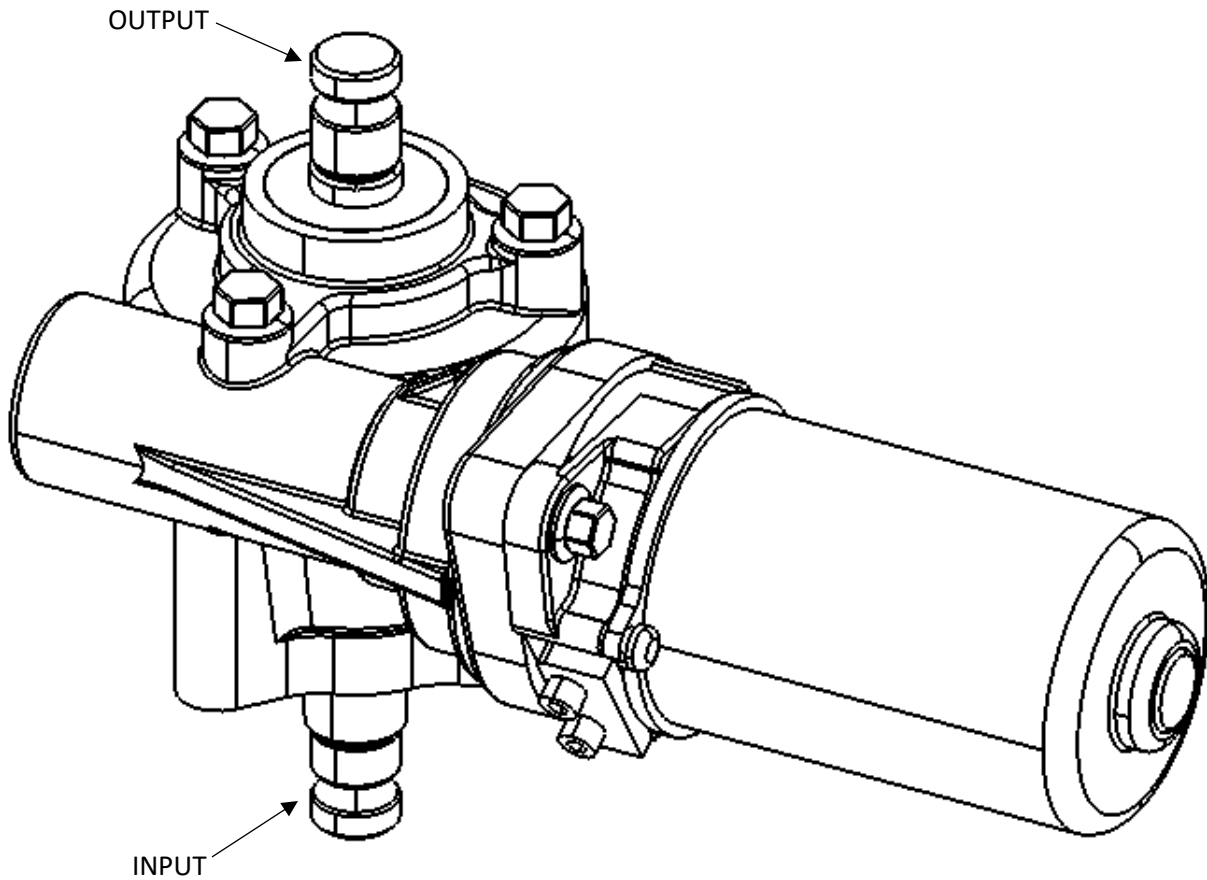


## Microsteer EPAS200 MGU Dimensions

Prepared by: R. Pittman

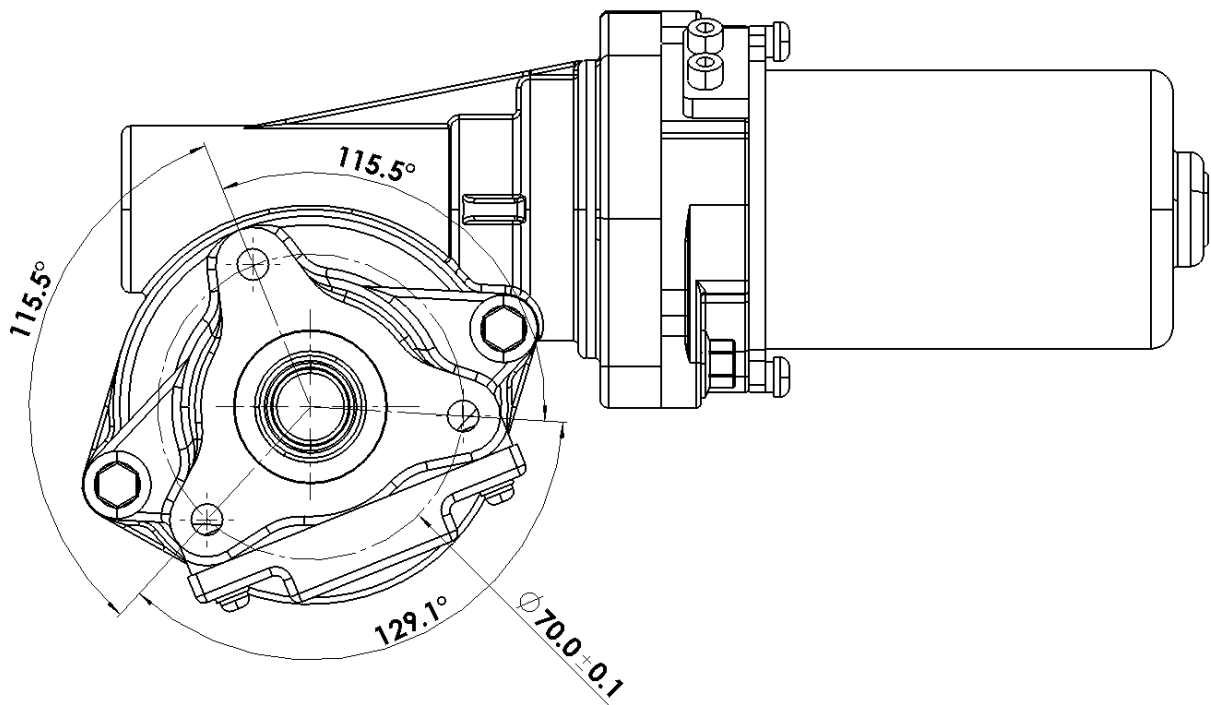
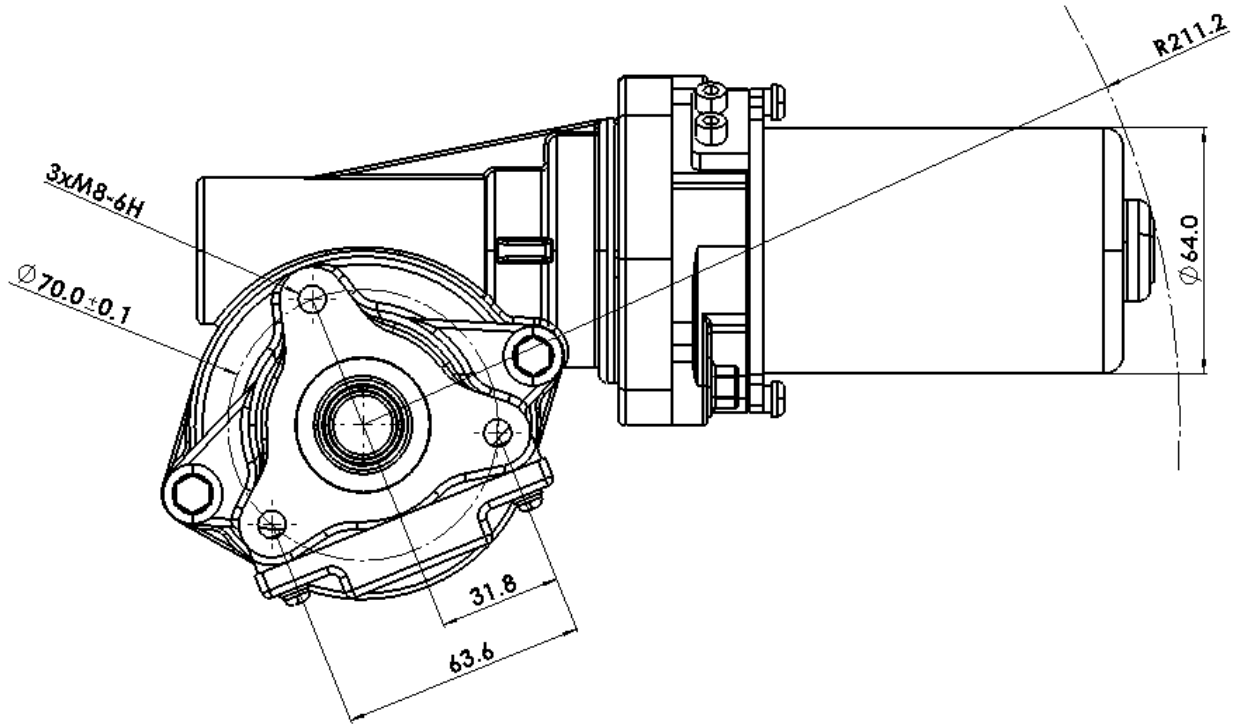
Date: 3/7/2019



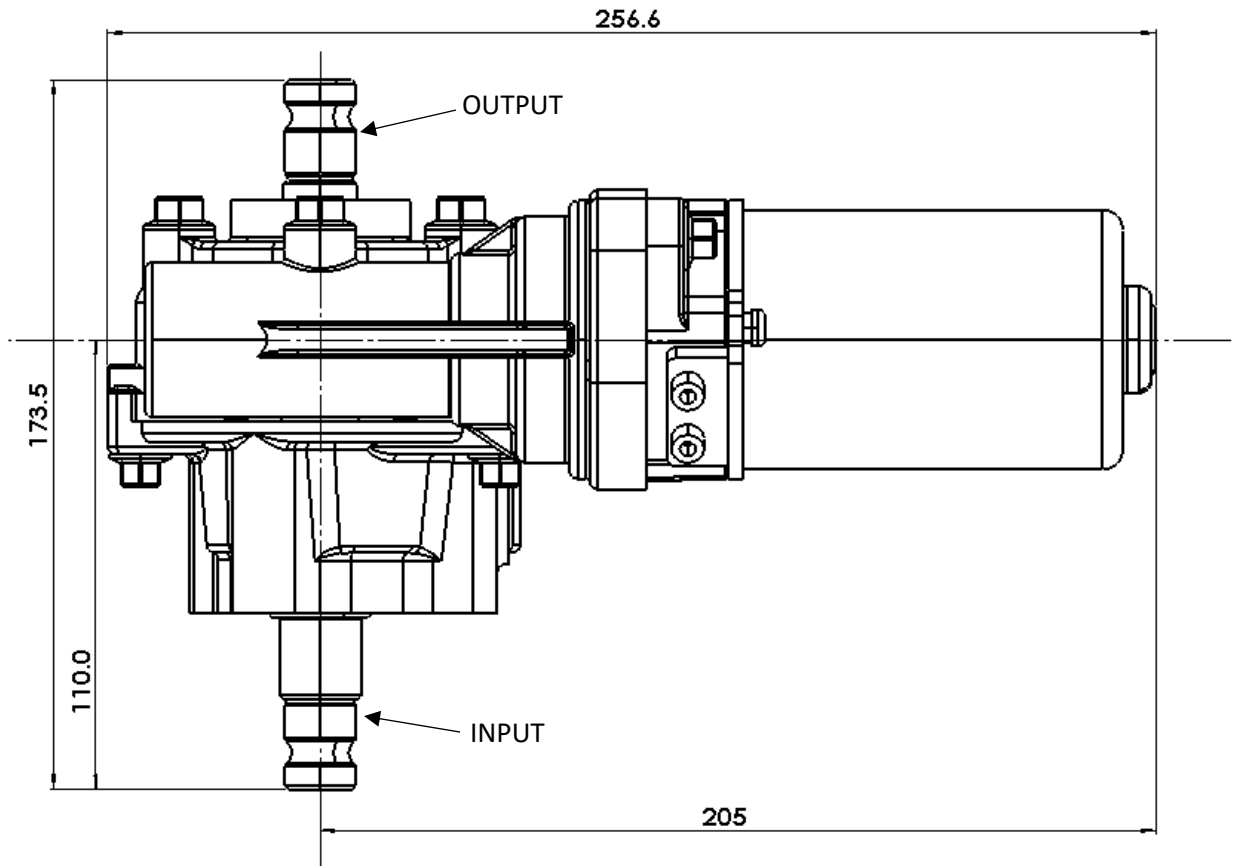
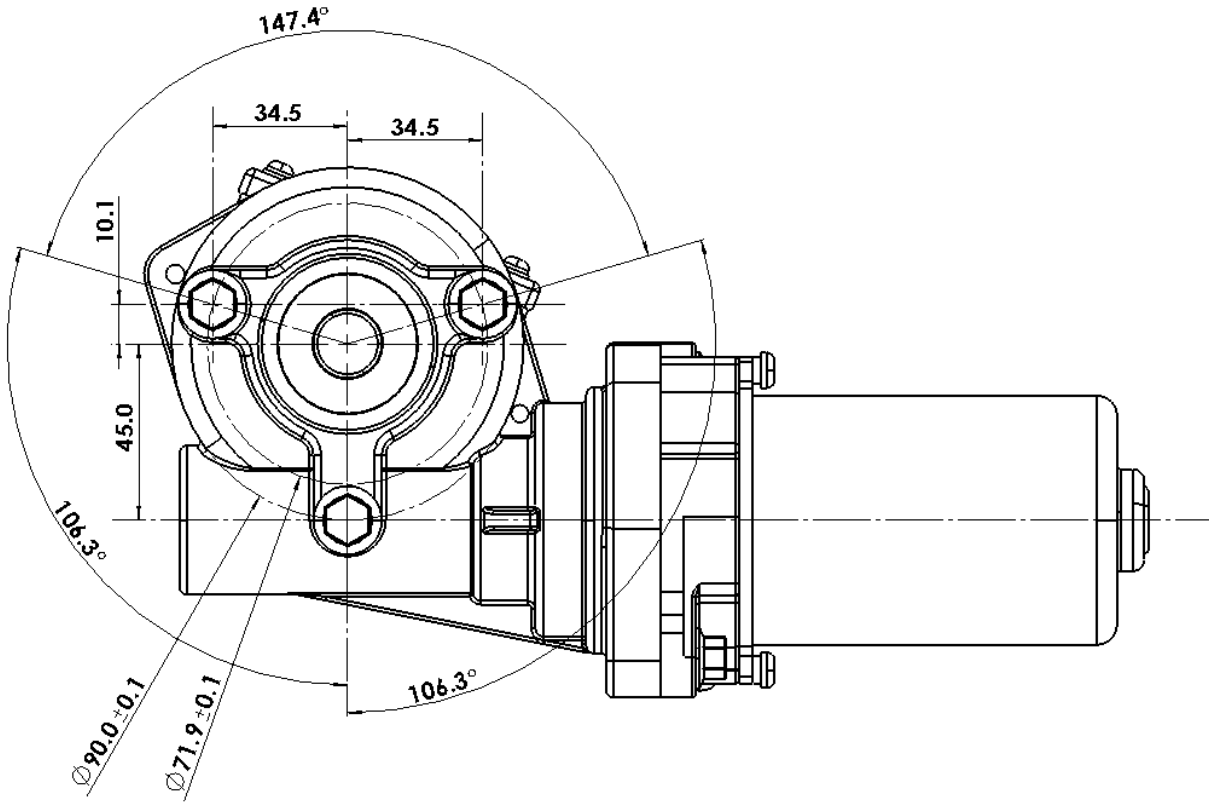
### Revision History:

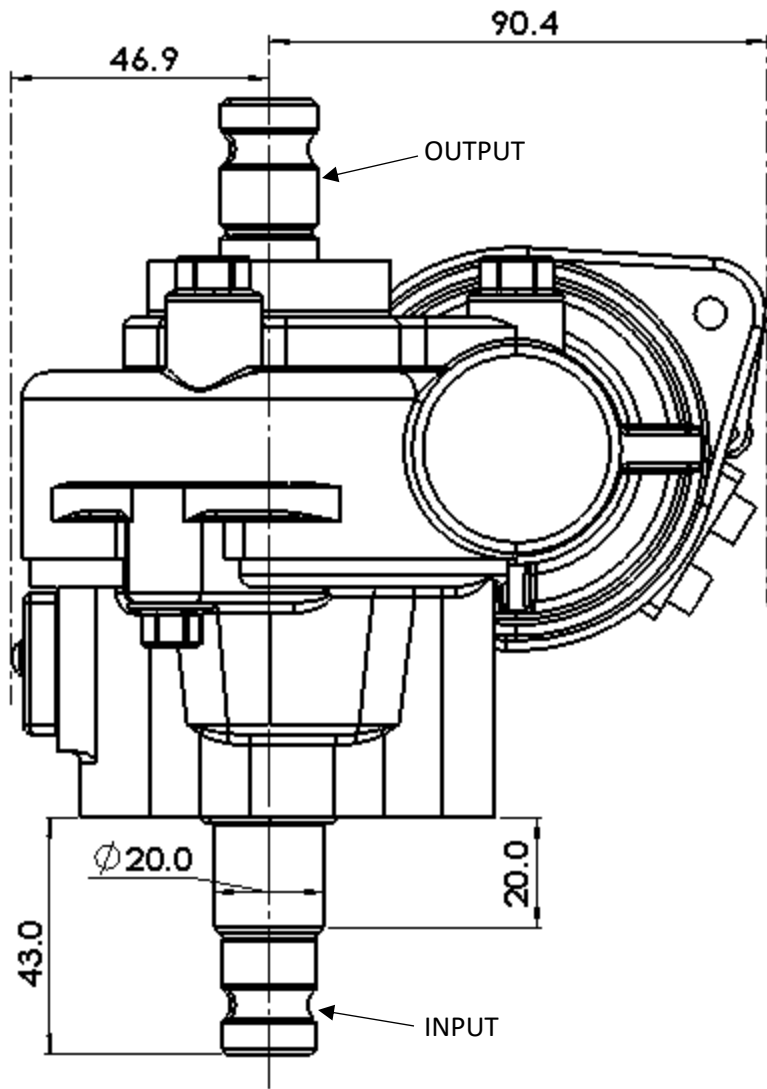
8/14/2019 – Additional views and dimensions added for mounting bolt holes

8/12/2021 – Input & Output shaft labels added



\*UNLESS OTHERWISE SPECIFIED: DIMENSIONS ARE IN MILLIMETERS





**\*UNLESS OTHERWISE SPECIFIED: DIMENSIONS ARE IN MILLIMETERS**