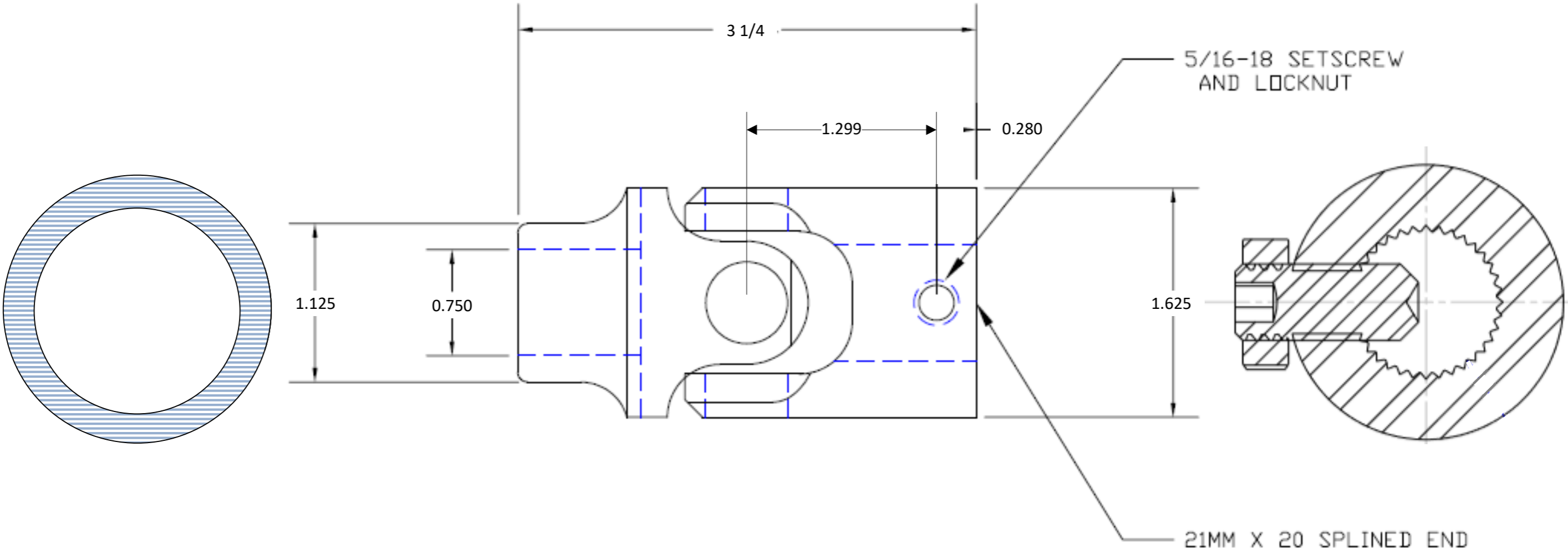


ALL DIMENSIONS IN INCHES



CUSTOMER:	DC Electronics	
TITLE:	EPAS500 OUTPUT UJ	
PART NO:	EPAS500UJ	
DRAWN BY:	D. Cunliffe	DATE: 18 th Jan 2023
CHECKED BY:		DATE:
FILENAME:	EPAS500UJ Dimensional Drawing v1.vsd	

REVISION:

